

12 RELAY OUTPUT MODULE FOR MODBUS 485

The RL112 allows OEMS a Relay Expansion Module to achieve 12 Normally Open outputs rated at 2 amps at 30VDC. All operation is via ModBus 485 commands. This will connect to the Gauge output of the 8XX Generator controllers.

ECU – R112

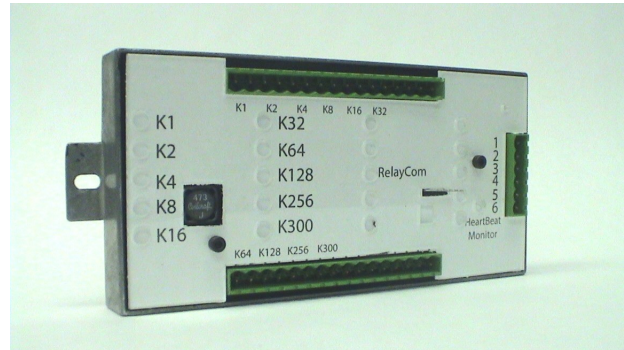
ONE VERSION FOR
12 AND 24 VDC

APPLICATIONS: Any Engine System or PLC type controller

FEATURES:

- Rugged and reliable
- Epoxy encapsulated
- Can run on same bus as Gauge Panel on 8XX units
- RS-485 communication interface
- 12 Relays with Normally Open Contacts 2 Amp 30 Volts DC
- On Board LEDS optional that track Relays Operation

Available 1st quarter 2016



A 12 Normally Open Contacts for RS485 ModBus use

The RS-485 Modbus master connection enables robust communication with other devices. Distances up to several thousand feet can be reliably attained using twisted shielded cable.

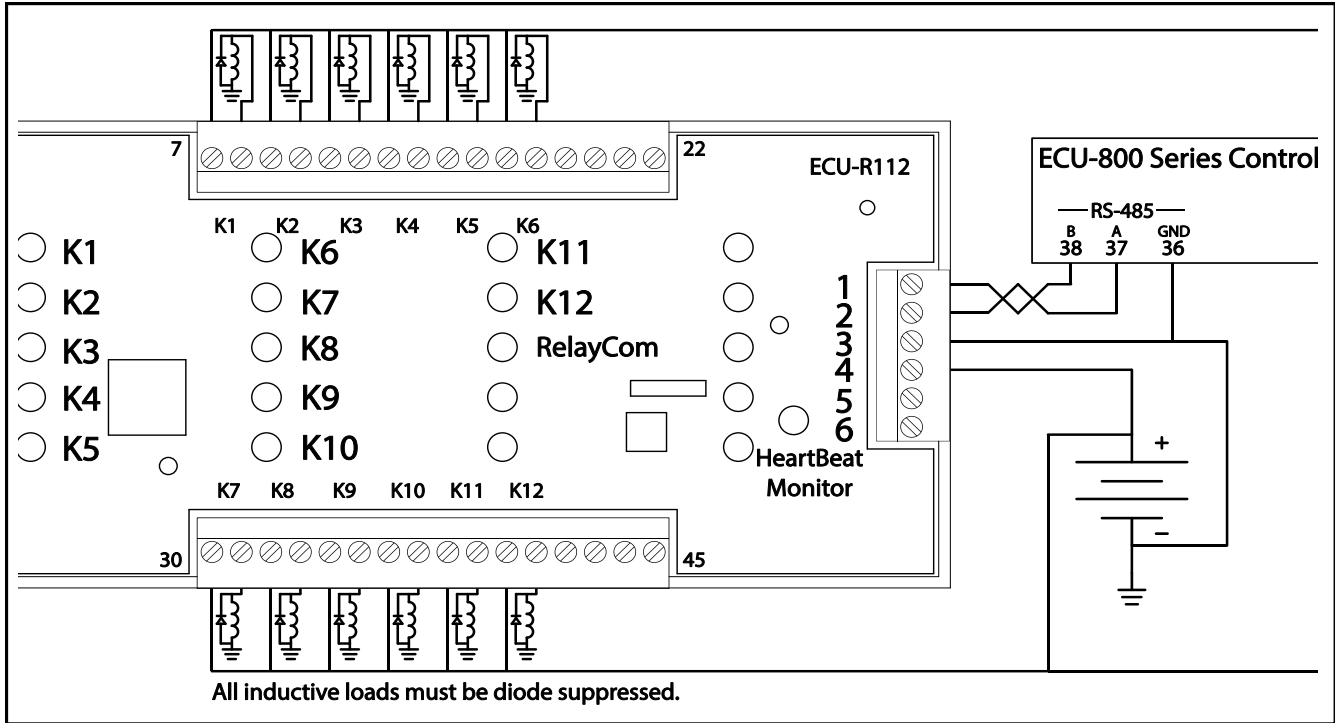
Host software will be available for setting the address. They are factory set per your request.

Unit has a Zinc casting and fully encapsulated.

ECU® IS A REGISTERED TRADEMARK OF
ENGINEERING CONCEPTS UNLIMITED, INC.

P.O. BOX 250 - 8950 TECHNOLOGY DRIVE - FISHERS, IN 46038
Voice: 317-849-8470 Fax: 317-849-6475 E-Mail: sales@ecu-engine-controls.com

SAMPLE ECU-R112 APPLICATION:
12 RELAY OUTPUTS WITH VIA MODBUS 485 CONNECTION



The above connection diagram is a typical multi input system using RS485 Modbus . As long as the unit is operating Heart-beat monitor led will blink. Final units in the 485 chain must be terminated by 120ohm resistor. Use twisted pair shielded wire and you can achieve lengths as far as 4000 feet.

SPECIFICATIONS: INPUT VOLTAGE: 9 TO 30 V_{DC}
 HORN OUTPUT RELAY: 2 A MAX
 OPERATIONAL TEMPERATURE: -40 TO 85 °C (OPERATIONAL)

ECU[®]-R112 TERMINAL OUT

Please see the above application for terminal output specification.

MODULE PHYSICAL DIMENSIONS

Module outside dimensions are approximately 7.5 x 3.250. Drawing will be released soon . Total height is 1.5 inches max including terminals.

ORDERING INFORMATION:
ORDER BY SPECIFYING: ECU-R112

ENGINEERING CONCEPTS UNLIMITED, INC.