

20 LIGHT ANNUNCIATOR WITH PROGRAMMABLE HORN AND COLOR FOR RS485 AND 20 INPUT TERMINALS

The AN20 allows Custom Annunciators to be done in a very organized fashion allowing input terminals to have direct input to the lamps or allowing simultaneously or independently RS485 communication to operate the lamps also. Uses an external host program for adjustments

ECU – A120

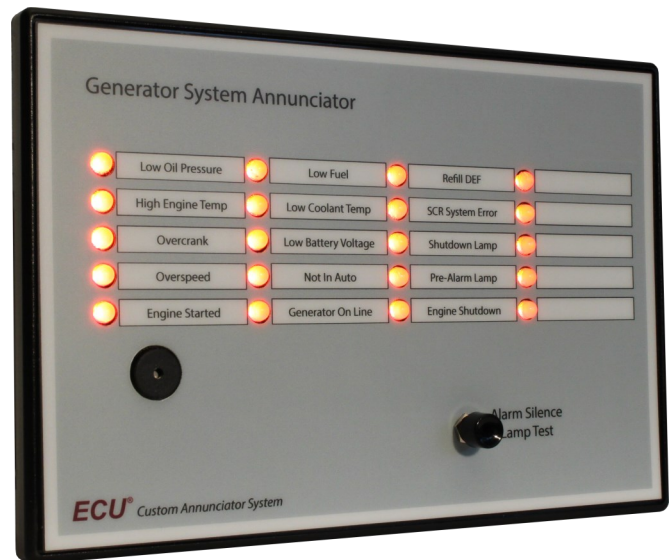
ONE VERSION FOR
12 AND 24 VDC

APPLICATIONS: Any Engine System or PLC type controller

FEATURES:

Available 1st quarter 2016

- Can be programmed directly from 8XX controller if using just Modbus RS485
- Lamp and Horn Test input button
- Lamps can be red, green or amber plus a flashing option at a click of a mouse
- Rugged and reliable
- Epoxy encapsulated
- Can run on same bus as Gauge Panel on 8XX units
- 20 inputs some ground/positive option
- RS-485 communication interface
- Laptop configuration if using just the inputs on the unit or can be completely preconfigured from factory. NFPA 110 option also.



A full 20 lamp annunciator for direct or RS485 ModBus use

Using a desktop or laptop program the unit can be configured for a given terminal to have any of three colors, horn and flashing options. Ordered from the factory all the names will be back side printed. Can be ordered as a 10 lamp also.

Includes Horn and Horn/Lamp Test/Alarm Silence switch. External horn relay contacts 2 amps at 30 volts DC included. There is an terminal for external Lamp Test/Alarm Silence also. Units can be ordered with RS232 modem interfaces for possible use with Telematics system interfaces.

The RS-485 Modbus master connection enables robust communication with other devices. Distances up to several thousand feet can be reliably attained using twisted shielded cable.

There are 20 discrete input terminals. Units also can have the internal voltage detector armed to lamp instead of a terminal input. Some inputs have High and Grounded options. Depending on the Source impedance some analog input may be possible. Please discuss with our Engineering Support if this is a requirement.

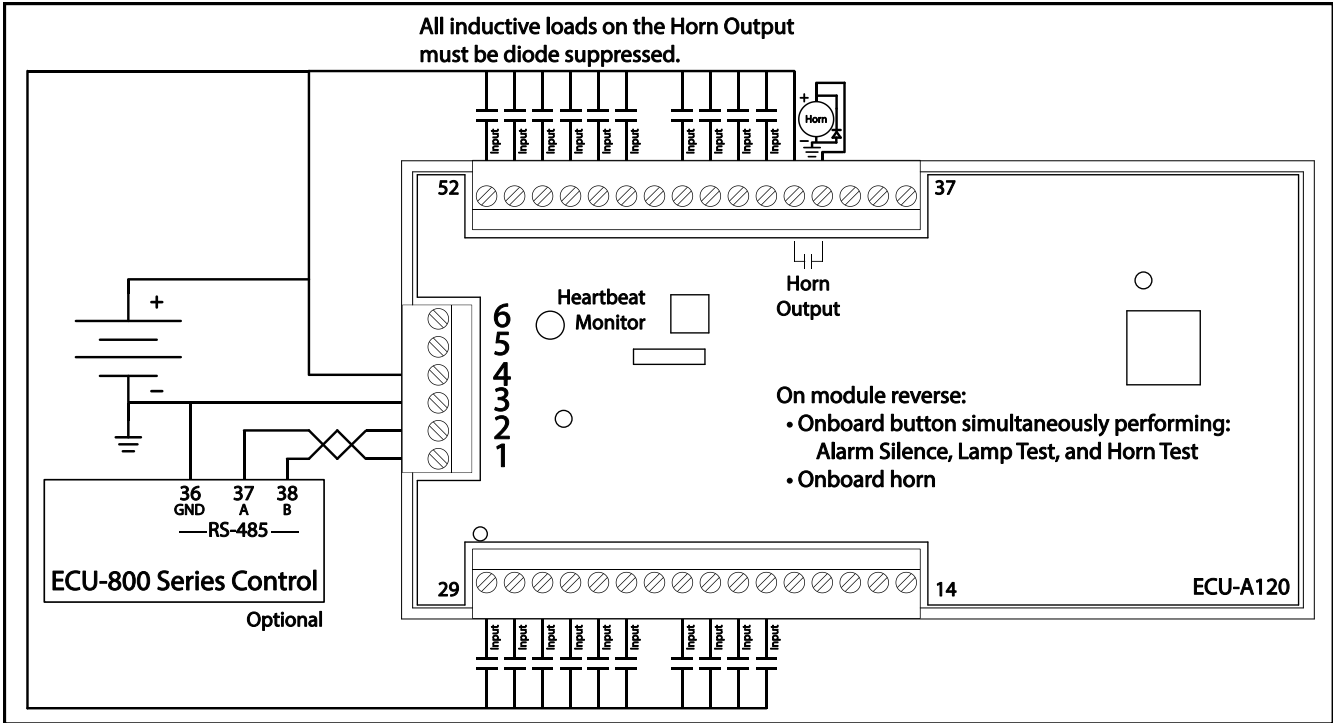
Unit has a high impact case and can be ordered with an optional mounting box or Acrylic flush mount panel. Sometime in 1st quarter 2016 Annex software will be released to allow immediate composition of the unit and allow data files to be sent to our facility to allow quick processing of your order.

**ECU® IS A REGISTERED TRADEMARK OF
ENGINEERING CONCEPTS UNLIMITED, INC.**

P.O. BOX 250 - 8950 TECHNOLOGY DRIVE - FISHERS, IN 46038

Voice: 317-849-8470 Fax: 317-849-6475 E-Mail: sales@ecu-engine-controls.com

SAMPLE ECU-A120 APPLICATION:
EXTERNAL SWITCH TYPE PANEL CONFIGURATION WITH RS485



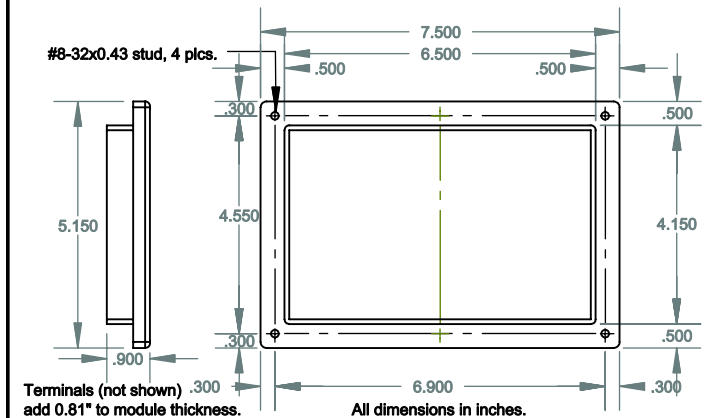
The above connection diagram is a typical multi input system using both Switches and possible RS485 Modbus input at the same time. If external 485 inputs are used some switch inputs would have to be removed since there are only 20 lamps total. As long as the unit is operating Heartbeat monitor led will blink. There is an option for a front panel lamp to indicate flashing meaning unit is communicating with external RS485 device. On the A120 the horn and switch are prewired.

SPECIFICATIONS: INPUT VOLTAGE: 9 TO 30 V_{DC}
 HORN OUTPUT RELAY: 2 A MAX
 OPERATIONAL TEMPERATURE: -40 TO 85 °C (OPERATIONAL)

ECU[®]-A120 TERMINAL OUT

Please see the above application for terminal output specification.

MODULE PHYSICAL DIMENSIONS



ORDERING INFORMATION:
ORDER BY SPECIFYING: ECU[®]-A120

**ECU[®] IS A REGISTERED TRADEMARK OF
ENGINEERING CONCEPTS UNLIMITED, INC.**